

PRODUCTION DETAILS

QUANTITIES OF 100 OR MORE (Including spares)

Advertisers must use one of the three approved suppliers listed below. Each of these suppliers has the facility to litho or screen print the panels onto the approved fire-retardant board. Please contact the suppliers directly for print quotes and further information.

AUGUSTUS MARTIN LTD.

St. Andrew's Way
Bromley-by-Bow
London E3 3PB

Contact details:

Tel: 020 7536 5222
Fax: 020 7537 2182
Email: tubecard@amartin.co.uk
ISDN: 020 7537 9971

www.tubecard.com

DELTA DISPLAY LTD.

153-157 Blackhorse Lane
Walthamstow
London E17 5QZ

Contact details:

Trevor Chandler / Bill Moore
Tel: 020 8498 4400
Fax: 020 8498 4401
Email: cbs@delta-display.com
ISDN: 020 8531 6450

www.delta-display.com

SMP GROUP

2 Swan Road
Woolwich
London SE18 5TT

Contact details:

Claire Mitchell / Nigel Mogg
Tel: 020 8855 5535
Fax: 020 8855 5367
Email: cbs@smpgroup.co.uk
ISDN: 020 8317 2194

www.smpgroup.co.uk

QUANTITIES OF 100 OR LESS (Including spares)

Because of excessive production problems with external suppliers producing 'short-run' campaigns, CBS Outdoor is now insisting that its' own Production department handles the print of all 'short-run' campaigns. Please contact CBS Outdoor directly for print quotes and further information.

CBS OUTDOOR

Camden Wharf
28 Jamestown Road
Camden
London NW1 7BY

Contact details:

The Production Department
Tel: 020 7482 3000
Fax: 020 7485 0541
Email: production@cbsoutdoor.co.uk
FTP: <ftp:cbsoutdoor.co.uk>
FTP: [//external:designer@ftp.cbsoutdoor.co.uk](ftp://external:designer@ftp.cbsoutdoor.co.uk)

IMPORTANT NOTES

Artworks must be delivered to the approved suppliers no less than 14 calendar days before the in-charge date to ensure that posting commences on time.

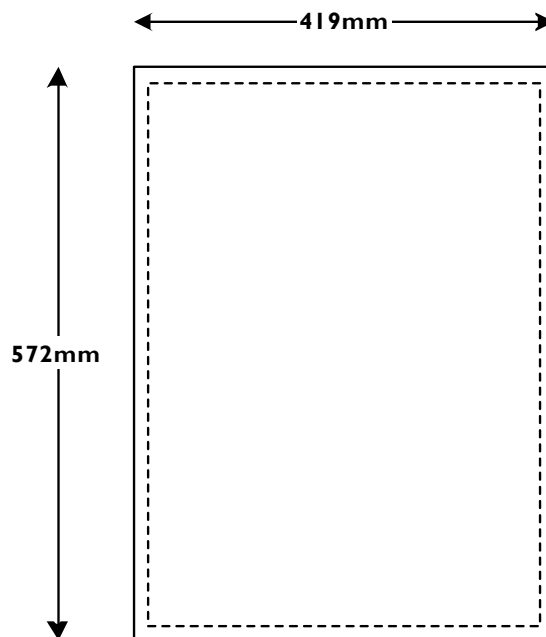
All of the suppliers listed above will require a Purchase Order before proceeding with production.

ARTWORK SPECIFICATIONS

All of the suppliers can accept artworks in the following Mac-compatible formats; Quark, In-Design, Illustrator and Photoshop. Please supply the artwork on CD, DVD, ISDN or FTP. All images must be scanned at hi-resolution, no less than 300dpi. All screen and printer fonts must be supplied, if this is not possible all text must be created as outlines. The artwork must be created at full size and include a 3mm bleed all round. A colour run-out or proof should also be supplied for reference purposes.

DISPLAY AREA

For all site types that are fixed into frames, the specification will give the Overall Size and the Display Area. Please keep all important text and images within the Display Area but feel free to bleed the background colours/images up to the Overall Size. Please be aware that if an artwork has text that has been created to the Display Area it will butt-up to the frame. If this is not the desired effect then please move the text even further inside the Display Area.



OVERALL SIZE
572mm x 419mm

----- **DISPLAY AREA**
540mm x 387mm

PRODUCTION DETAILS

QUANTITIES OF 100 OR MORE (Including spares)

Advertisers must use one of the three approved suppliers listed below. Each of these suppliers has the facility to litho or screen print the panels onto the approved fire-retardant board. Please contact the suppliers directly for print quotes and further information.

AUGUSTUS MARTIN LTD.

St. Andrew's Way
Bromley-by-Bow
London E3 3PB

Contact details:

Tel: 020 7536 5222
Fax: 020 7537 2182
Email: tubecard@amartin.co.uk
ISDN: 020 7537 9971

www.tubecard.com

DELTA DISPLAY LTD.

153-157 Blackhorse Lane
Walthamstow
London E17 5QZ

Contact details:

Trevor Chandler / Bill Moore
Tel: 020 8498 4400
Fax: 020 8498 4401
Email: cbs@delta-display.com
ISDN: 020 8531 6450

www.delta-display.com

SMP GROUP

2 Swan Road
Woolwich
London SE18 5ST

Contact details:

Claire Mitchell / Nigel Mogg
Tel: 020 8855 5535
Fax: 020 8855 5367
Email: cbs@smpgroup.co.uk
ISDN: 020 8317 2194

www.smpgroup.co.uk

QUANTITIES OF 100 OR LESS (Including spares)

Because of excessive production problems with external suppliers producing 'short-run' campaigns, CBS Outdoor is now insisting that its' own Production department handles the print of all 'short-run' campaigns. Please contact CBS Outdoor directly for print quotes and further information.

CBS OUTDOOR

Third Floor
The Lighthouse
14 The Quays
Salford
Manchester M50 3BF

Contact details:

Sonia St. James
Tel: 0161 772 7615
Fax: 0161 877 7389
Email: sonia.stjames@cbsoutdoor.co.uk
FTP: <ftp:cbsoutdoor.co.uk>
User Name: manchftp
Password: public 101

IMPORTANT NOTES

Artworks must be delivered to the approved suppliers no less than 14 calendar days before the in-charge date to ensure that posting commences on time.

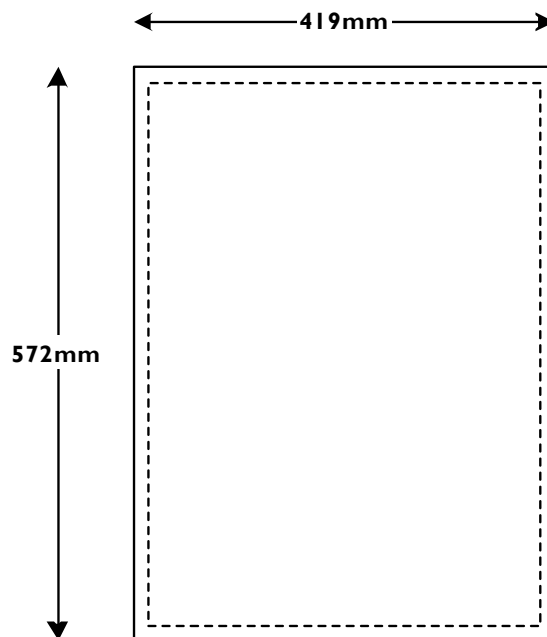
All of the suppliers listed above will require a Purchase Order before proceeding with production.

ARTWORK SPECIFICATIONS

All of the suppliers can accept artworks in the following Mac-compatible formats; Quark, In-Design, Illustrator and Photoshop. Please supply the artwork on CD, DVD, ISDN or FTP. All images must be scanned at hi-resolution, no less than 300dpi. All screen and printer fonts must be supplied, if this is not possible all text must be created as outlines. The artwork must be created at full size and include a 3mm bleed all round. A colour run-out or proof should also be supplied for reference purposes.

DISPLAY AREA

For all site types that are fixed into frames, the specification will give the Overall Size and the Display Area. Please keep all important text and images within the Display Area but feel free to bleed the background colours/images up to the Overall Size. Please be aware that if an artwork has text that has been created to the Display Area it will butt-up to the frame. If this is not the desired effect then please move the text even further inside the Display Area.



OVERALL SIZE
572mm x 419mm

----- **DISPLAY AREA**
540mm x 387mm

PRODUCTION DETAILS

QUANTITIES OF 250 OR MORE (Including spares)

Advertisers must use one of the three approved suppliers listed below. Each of these suppliers has the facility to litho or screen print the panels onto the approved fire-retardant board. Please contact the suppliers directly for print quotes and further information.

AUGUSTUS MARTIN LTD.

St. Andrew's Way
Bromley-by-Bow
London E3 3PB

Contact details:

Tel: 020 7536 5222
Fax: 020 7537 2182
Email: tubecard@amartin.co.uk
ISDN: 020 7537 9971

www.tubecard.com

DELTA DISPLAY LTD.

153-157 Blackhorse Lane
Walthamstow
London E17 5QZ

Contact details:

Trevor Chandler / Bill Moore
Tel: 020 8498 4400
Fax: 020 8498 4401
Email: cbs@delta-display.com
ISDN: 020 8531 6450

www.delta-display.com

SMP GROUP

2 Swan Road
Woolwich
London SE18 5TT

Contact details:

Claire Mitchell / Nigel Mogg
Tel: 020 8855 5535
Fax: 020 8855 5367
Email: cbs@smpgroup.co.uk
ISDN: 020 8317 2194

www.smpgroup.co.uk

QUANTITIES OF 250 OR LESS (Including spares)

Because of excessive production problems with external suppliers producing 'short-run' campaigns, CBS Outdoor is now insisting that its' own Production department handles the print of all 'short-run' campaigns. Please contact CBS Outdoor directly for print quotes and further information.

IMPRINT CREATIVE PRINT SOLUTIONS

Colour House
West View Terrace
Dunston
Gateshead NE11 9EL

Contact details:

Mark Robertson
Tel: 0191 460 3737
Fax: 0191 460 8607
Email: mark.r@psp.uk.com
ISDN: 0191 460 5267

www.imprint-print.co.uk

IMPORTANT NOTES

Artworks must be delivered to the approved suppliers no less than 14 calendar days before the in-charge date to ensure that posting commences on time.

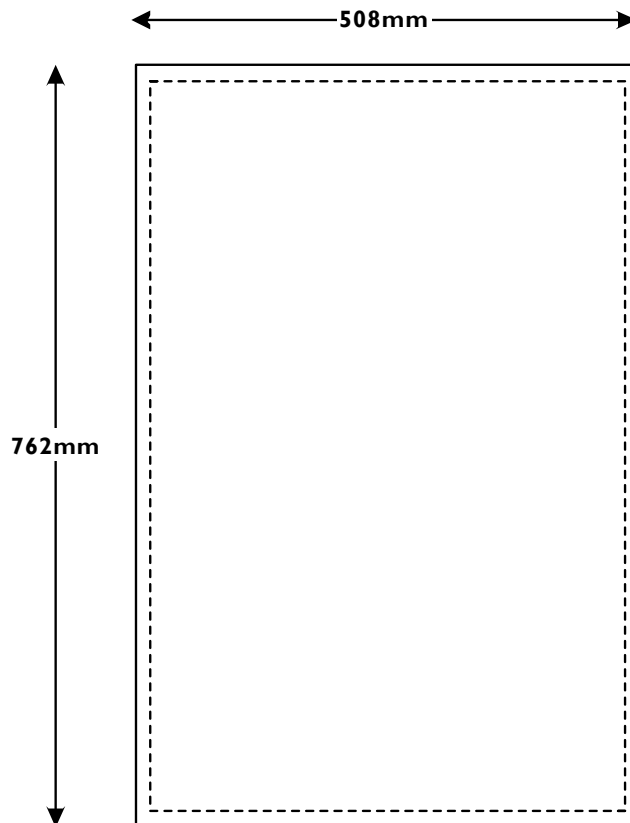
All of the suppliers listed above will require a Purchase Order before proceeding with production.

ARTWORK SPECIFICATIONS

All of the suppliers can accept artworks in the following Mac-compatible formats; Quark, In-Design, Illustrator and Photoshop. Please supply the artwork on CD, DVD, ISDN or FTP. All images must be scanned at hi-resolution, no less than 300dpi. All screen and printer fonts must be supplied, if this is not possible all text must be created as outlines. The artwork must be created at full size and include a 3mm bleed all round. A colour run-out or proof should also be supplied for reference purposes.

DISPLAY AREA

For all site types that are fixed into frames, the specification will give the Overall Size and the Display Area. Please keep all important text and images within the Display Area but feel free to bleed the background colours/images up to the Overall Size. Please be aware that if an artwork has text that has been created to the Display Area it will butt-up to the frame. If this is not the desired effect then please move the text even further inside the Display Area.



OVERALL SIZE
762mm x 508mm

----- **DISPLAY AREA**
722mm x 468mm

COPY APPROVAL

Before posting can commence, every bus, rail and tram campaign must be submitted to CBS Outdoor for copy approval. This is to ensure that the Codes of Practice outlined by each of our franchise partners are being upheld.

To view the 'Codes of Practice and Guidelines' visit www.cbsoutdoor.co.uk. Go to the 'Campaign Support' section and click on 'Copy Approval'.

To help in this process and to prevent unnecessary production costs, CBS Outdoor requires a **pdf** of each design used in the campaign as soon as it is available.

The **pdf** must show the actual version to be used in the campaign, be legible and show the entire poster.

The **pdf** must be emailed to nigel.mcdonald@cbsoutdoor.co.uk

Alternatively, send a colour hard copy to Nigel McDonald at the following address:

CBS Outdoor
Camden Wharf
28 Jamestown Road
Camden
London NW1 7BY

THIS ADDRESS IS FOR COPY APPROVALS ONLY
Do not send artworks or finished posters to this address

CBS Outdoor assures you of a swift response. Thank you for your co-operation.